

Data Sheet

Pressure transmitter EMP 2

For monitoring and control in marine and industrial applications



The high accuracy pressure transmitter EMP 2 is designed for monitoring and control in marine and industrial applications and offers a reliable pressure measurement, even under harsh environmental conditions.

The pressure transmitter programme covers absolute or gauge (relative) versions with a 4 – 20 mA output signal.

It has all the necessary marine approvals. Special versions with integrated pulse-snubber available, designed for severe medium influences like cavitation, liquid hammer or pressure peaks.

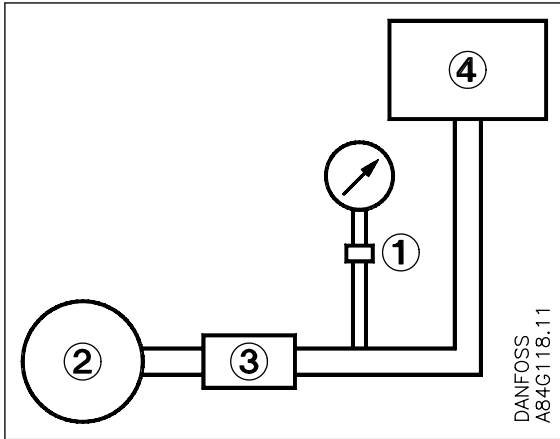
Features

- For use in Zone 2 explosive atmosphere
- Fully digitally compensated

Applications

Application and media conditions

Figure 1: Pressure range



1	Surge damper
2	Pump
3	Valve
4	Tank

In cases where valves are closed momentarily, surges of a value in excess of that for which the pressure element is designed can occur. To avoid damage to the pressure element, a damper should be fitted.

The device can consist of a flexible pipe, a throttle, a shock valve, or a combination of these items. The amplitude of surges should never exceed the maximum pressure range of the pressure transmitter.

Product specification

Technical data

Table 1: Performance (EN 60770)

Sensor temperature range	Normal	-10 – 70 °C, (Ref. Figure 3: Max. ambient temperature as a function of temperature)
	ATEX Zone 2	-10 – 55 °C
Transport / storage temperature		-50 – 70 °C
Media temperature		-40 – 100 °C, (Ref. Figure 3: Max. ambient temperature as a function of temperature)
Media		Water, fuel, oil, lubricating oil, refrigerants, ammonia, gas etc.
Voltage supply		Max. 32 V and min. 12 V DC between terminals N and P
Load resistance	A.	max. 410 Ω at 24 V DC 50% / -20%
	B.	max. 650 Ω at 24 V DC 50% / 0%
Noise – immunity		Complies with the standard for industrial apparatus EN 61000-6-2. The standard contains tests for the following: HF fields, mains transmitted HF, voltage transients, electrostatic immunity, supply voltage variations, low-frequency radiation and transient protection in accordance with Germanischer Lloyd
Noise – emission		Complies with standard EN 61000-6-3
Accuracy at 20 °C		≤ ± 1% FS (max)
Voltage dependence		≤ ± 0.1% FS / 10 V
Total Error Band		Figure 2: Total Error Band (incl. non-linearity, hysteresis, repeatability, thermal
Power-up time		< 50 ms
Vibration stability		3 – 30 Hz amplitude 1.13 mm and 30 – 300 Hz acceleration 4G according to IEC 60068-2-6. The requirements of the ship classification societies are up to 100 Hz, acceleration 4G. Extended specifications by prior arrangement
		Liquids with viscosity < 100 cSt < 4 ms
Time constant	Air and gas in combination with pulse snubber:	< 35 ms
Shock stability		500 g for 1 ms to IEC 60068-2-27
Enclosure		IP65, Housings are made of enamelled pressure-die-cast aluminium (GD-AISI 12), IP54 in ATEX Zone 2 application
Pressure connection		G ¼, G ½ A standard, G ¾ A mano
Net weight		approx. 1 kg
Cable entry		Pg 13.5 for cable diameters 5 – 14 mm

Figure 2: Total Error Band (incl. non-linearity, hysteresis, repeatability, thermal

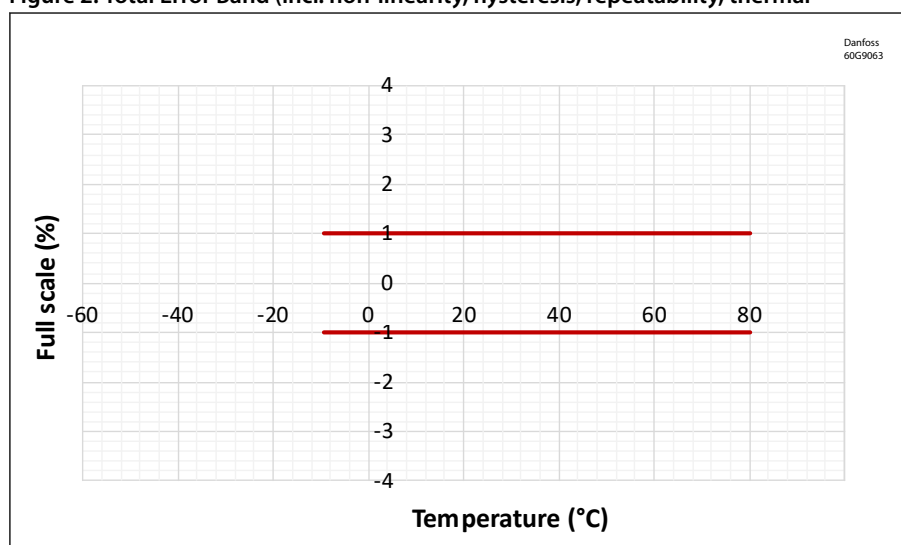


Table 2: Explosive atmospheres

Zone 2 applications ⁽¹⁾	II 3G Ex ec IIA T4 Gc -10°C<Ta<+55°C	EN60079-0; EN60079-7
------------------------------------	--	----------------------

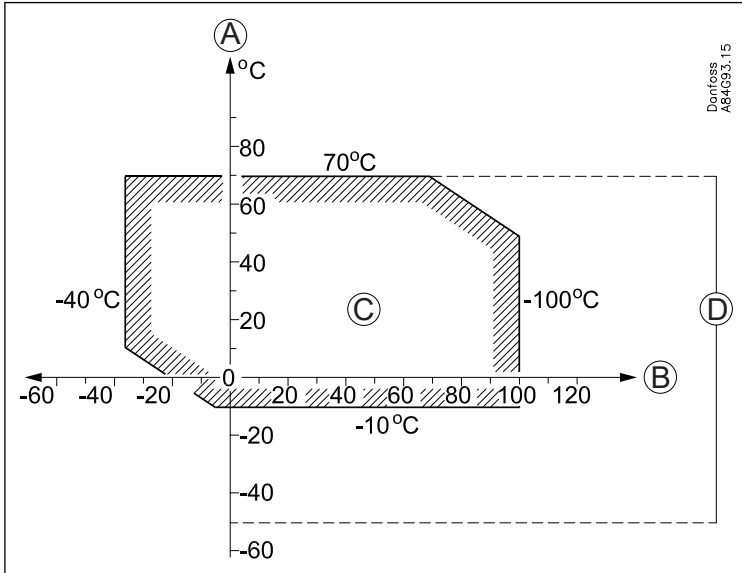
⁽¹⁾ The Pressure transmitter must be installed where it cannot be exposed to impact in normal use

Identification

The type designation and code number of the transmitter is embossed on the side of the housing at the bottom close to the pressure connector.

Installation conditions

Figure 3: Max. ambient temperature as a function of temperature



A	Ambient temperature
B	Media temperature
C	Operating range
D	Transport and storage temperature

Mounting

Type EMP 2 is equipped with a 3 mm steel bracket for mounting.

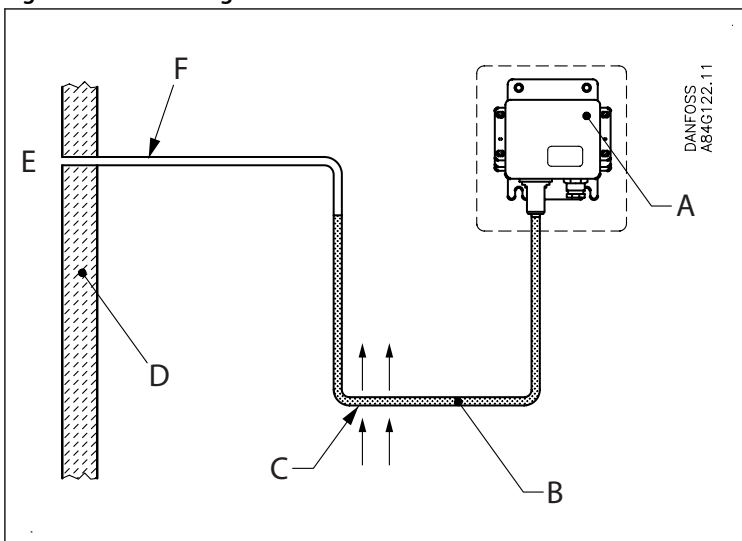
Pressure connection

Connector with outside cylindrical thread G 1/2, some types available with G 3/8 A mano, and inside cylindrical thread G 1/4, to ISO 228.

The primary insertion length of the connector corresponds to EN 837. Connection to the transmitter is made through a connector with a spanner flat, 14 mm across flats.

When fitting or removing pressure lines, the spanner flats on the pressure connector should be used to apply counter-torque.

Figure 4: Insulation against radiant heat



A	max. 70 °C
B	Condensed liquid
C	Reliable, good convection
D	Insulation against radiant heat
E	Steam 170 °C
F	Thin (=low heat conductivity) uninsulated tube

Water systems

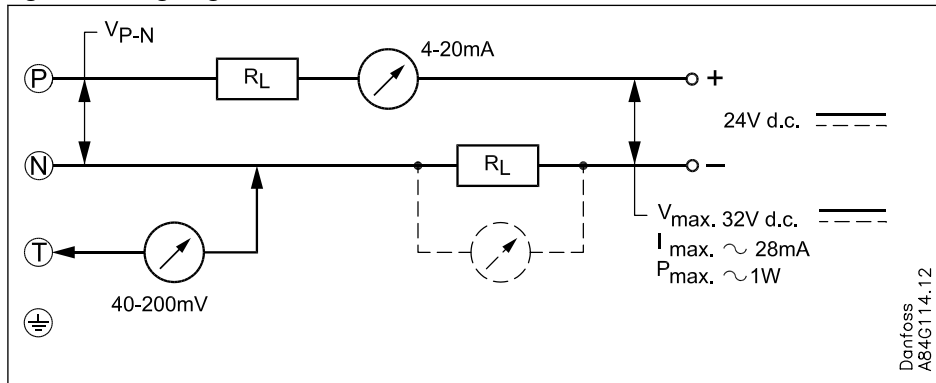
Water in the pressure element is not harmful, but in the event of frost a water-filled pressure element may burst. To prevent this the transmitter should be allowed to operate on an air cushion.

Steam plant

To protect the pressure element against temperatures in excess of the maximum temperature for the medium (100 °C), the insertion of a water-filled loop is recommended. In the example, **Figure 4: Insulation against radiant heat**, insulation against radiant heat is also shown.

Electrical connection

Figure 5: Wiring diagram

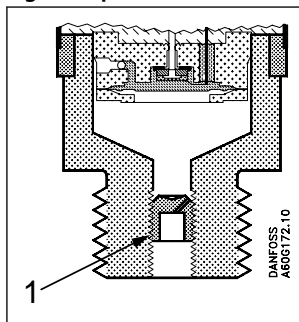


The transmitter has a wiring diagram, see above figure. Terminals P (positive) and N (negative) are connection terminals for the supply voltage.

The same leads are used for supply voltage and output signal. A function test can be performed between terminals N and T without cutting off the current loop.

Pulse snubber

Figure 6: pulse snubber



1 Pulse-snubber

Cavitation, liquid hammer and pressure peaks may occur in liquid filled hydraulic systems with changes in flow velocity, e.g. fast closing of a valve or pump starts and stops.

Liquid backlash can create huge pressure peaks of a non uniform nature and damage the diaphragm.

The problem may occur on the inlet and outlet side, even at rather low operating pressures.

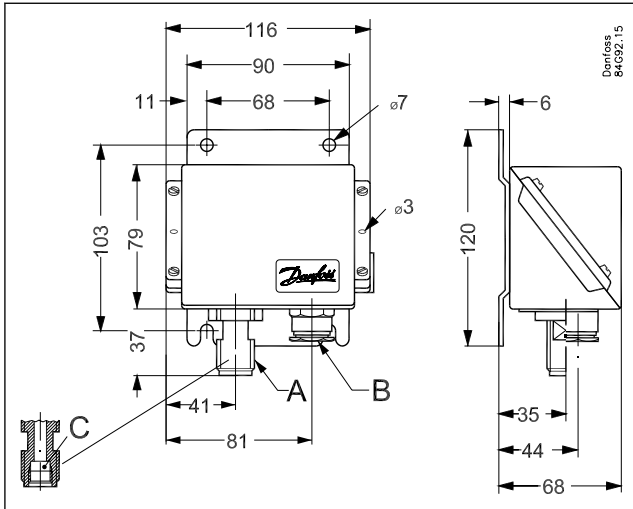
The integrated pulse snubber is designed as an 0.3 mm orifice mounted in the pressure connection. The medium should not contain particles which may clog up in the orifice.

The viscosity has only little effect on the response time. Even at liquid viscosities up to 100 Cst the response time will not exceed 4 ms.

Dimensions and weight

Net weight 1 kg

Figure 7: Dimensions diagram

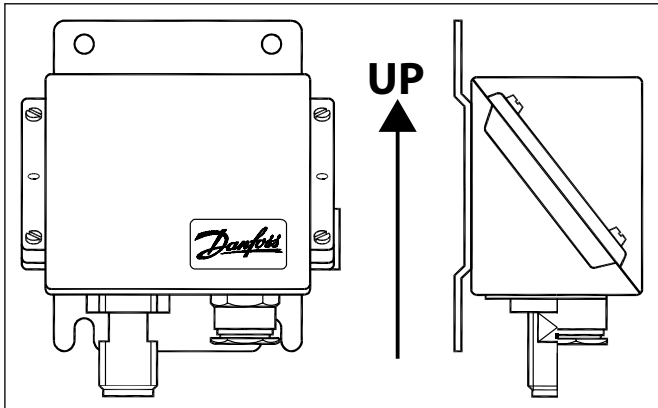


A	G ½ A (G 3/8 A mano)
B	Pg 13.5
C	G ¼

Mounting

The Mounting orientation is given according to the danfoss instruction for EMP 2 084R9308. See picture below:

Figure 8: Mounting



Ordering

Table 3: Pressure in bar

Operating pressure p_e [bar]	Test pressure p_e [bar]	Min. burst pressure p_e [bar]	Code no. EMP 2	
			G ½ A	G ¾ A
-1 – 1.5 ⁽¹⁾	5	100	084G2100	-
-1 – 5 ⁽¹⁾	35	200	084G2101	-
0.2 – 1	3.2	100	084G2102	-
0 – 1.6	3.2	100	084G2104	-
0 – 2.5	5	200	084G2105	-
0 – 4	8	200	084G2106	084G2206
0 – 6	18	400	084G2107	084G2207
0 – 6	60 ⁽²⁾	400	084G2108	-
0 – 10	20	400	084G2109	084G2209
0 – 10	60 ⁽²⁾	400	084G2110	-
0 – 16	32	400	084G2111	084G2211
0 – 25	50	400	084G2112	-
0 – 40	80	400	084G2113	084G2213
0 – 60	120	400	084G2114	-
0 – 100	200	400	084G2115	-
0 – 160	260	640	084G2116	-
0 – 250	375	1000	084G2117	-
-1 – 9 ⁽¹⁾	20	400	084G2120	-

⁽¹⁾ Sealed gauge

⁽²⁾ With pulse snubber

Table 4: Pressure in kp/cm²

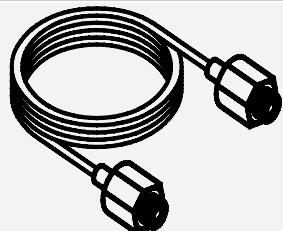
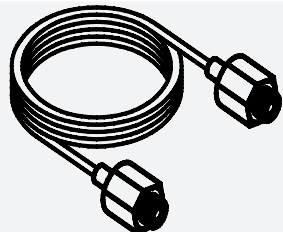
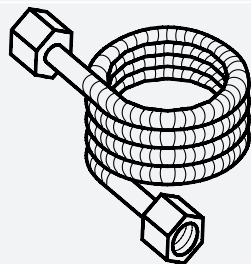

Operating pressure p_e [kp/cm ²]	Test pressure p_e [kp/cm ²]	Min. burst pressure p_e [kp/cm ²]	Code no. EMP 2	
			G ½ A	G ¾ A
-1 – 5 ⁽¹⁾	35	200	084G2131	-
0 – 4	8	200	084G2136	084G2157
0 – 6	18	400	084G2137	084G2158
0 – 10	20	400	-	084G2179
0 – 15	32	400	084G2141	084G2159
0 – 25	50	400	084G2142	-
0 – 40	80	400	084G2143	084G2169
0 – 50	120	400	084G2144	-
0 – 20	50	400	084G2154	-

i NOTE:

When ordering please state type and code number

Accessories

Table 5: Accessories list

Part	Symbol	Description	Material	Code no.
Damping coil		Damping coil with G 3/8 unions and 1.5 m copper capillary tube.	Copper	060-104766
Damping coil		Damping coil with G 1/2 unions and 1 m capillary tube. Standard washers supplied	Stainless steel	060-016966
Damping coil, armoured		Damping coil with G 3/8 unions and 1 m armoured copper capillary tube. Standard washers supplied	Copper	060-333366
Nipple		G 1/4 A × G 3/8A with copper washer	Brass	060-333266
		G 1/4 A × M10 ext. × 1 with copper washer	Brass	060-333866

Conversion table

Table 6: Conversion values

	Pascal (= Newton per square metre)	Newton per square [mm]	[bar]	Kilopond per square metre [mm H ₂ O]	Meter water gauge	Technical atmosphere [kp/cm ²]	Physical atmosphere	Torr [0 °C]	Inches Hg [0 °C]	Poundforce per Square inch
	[N/m ²] Pa	[N/mm ²]		[kp/m ²]	[m] H ₂ O	[at]	[atm]	[mm] Hg	[in] Hg	[lbf/in ²] psi
1 Pa	1	10 ⁻⁶	10 ⁻⁵	0.1020	1.020 · 10 ⁻⁴	1.020 · 10 ⁻⁵	9.869 · 10 ⁻⁵	7.500 · 10 ⁻³	2.953 · 10 ⁻⁴	1.450 · 10 ⁻⁴
1 N/mm ²	10 ⁶	1	10	1.020 · 10 ⁵	10.20	10.20	9.869	7.5 · 10 ³	295.3	145.0
1 bar	10 ⁵	0.1	1	10.197 · 10 ³	10.20	1.020	0.9869	750	29.53	14.50
1 kp/m ²	9.80665	9.807 · 10 ⁻⁶	9.807 · 10 ⁻⁵	1	10 ⁻³	10 ⁻⁴	0.9678 · 10 ⁻⁴	0.07355	2.896 · 10 ⁻³	1.422 · 10 ⁻³
1 m H ₂ O	9806.7	9.807 · 10 ³	0.09807	1000	1	0.1	0.09678	73.55	2.896	1.422
1 at	98.066 · 10 ³	0.09807	0.9807	104	10	1	0.9678	735.5	28.96	14.22
1 atm	101.325 · 10 ³	0.1013	1.013	10.333 · 10 ³	10.33	1.033	1	760	29.92	14.70
1 mm Hg	133.32	1.333 · 10 ⁻⁴	1.333 · 10 ⁻³	13.60	0.01360	1.360 · 10 ⁻³	1.316 · 10 ⁻³	1	0.03937	1.934 · 10 ⁻²
1 in Hg	3387	3.387 · 10 ⁻³	0.03387	345.3	0.3453	0.03453	0.03342	25.4	1	0.4912
1 psi	6895	6.895 · 10 ⁻³	0.06895	703.1	0.7031	0.07031	0.06804	51.71	2.036	1

Certificates, declarations, and approvals

The list contains all certificates, declarations, and approvals for this product type. Individual code number may have some or all of these approvals, and certain local approvals may not appear on the list.

Some approvals may change over time. You can check the most current status at danfoss.com or contact your local Danfoss representative if you have any questions.

Table 7: Certificates and declarations

File name	Document type	Document topic	Approval authority
BV 02280-I1 BV	Safety certificate	Marine approval	BV
TJ22PTB00047	Safety certificate	Marine approval	CCS
DNV TAA000012U Rev.2	Safety certificate	Marine approval	DVN
KR DLN 34014-AE003	Safety certificate	Marine approval	KR
LR 2002547TA-02	Safety certificate	Marine approval	LR
TA22497M	Safety certificate	Marine approval	NKK
CRN.OF18477.5123467890YTN	Pressure - Safety certificate	CRN	TSSA
064G9615.11	EU Declaration	ATEX/EMCD/RoHS	Danfoss
RINA ELE106622XP	Safety certificate	Marine approval	RINA
E494625	Safety certificate	Hazardous Locations	UL
ABS 22-2311484-PDA	Safety certificate	Marine approval	ABS
E227388	Safety certificate	Hazardous Locations	UL
E510763	Safety certificate	Hazardous Locations	UL

Online support

Danfoss offers a wide range of support along with our products, including digital product information, software, mobile apps, and expert guidance. See the possibilities below.

The Danfoss Product Store



The Danfoss Product Store is your one-stop shop for everything product related—no matter where you are in the world or what area of the cooling industry you work in. Get quick access to essential information like product specs, code numbers, technical documentation, certifications, accessories, and more.

Start browsing at store.danfoss.com.

Find technical documentation



Find the technical documentation you need to get your project up and running. Get direct access to our official collection of data sheets, certificates and declarations, manuals and guides, 3D models and drawings, case stories, brochures, and much more.

Start searching now at www.danfoss.com/en/service-and-support/documentation.

Danfoss Learning



Danfoss Learning is a free online learning platform. It features courses and materials specifically designed to help engineers, installers, service technicians, and wholesalers better understand the products, applications, industry topics, and trends that will help you do your job better.

Create your Danfoss Learning account for free at www.danfoss.com/en/service-and-support/learning.

Get local information and support



Local Danfoss websites are the main sources for help and information about our company and products. Find product availability, get the latest regional news, or connect with a nearby expert—all in your own language.

Find your local Danfoss website here: www.danfoss.com/en/choose-region.

Spare Parts



Get access to the Danfoss spare parts and service kit catalog right from your smartphone. The app contains a wide range of components for air conditioning and refrigeration applications, such as valves, strainers, pressure switches, and sensors.

Download the Spare Parts app for free at www.danfoss.com/en/service-and-support/downloads.

Danfoss A/S

Climate Solutions • danfoss.com • +45 7488 2222

Any information, including, but not limited to information on selection of product, its application or use, product design, weight, dimensions, capacity or any other technical data in product manuals, catalogues descriptions, advertisements, etc. and whether made available in writing, orally, electronically, online or via download, shall be considered informative, and is only binding if and to the extent, explicit reference is made in a quotation or order confirmation. Danfoss cannot accept any responsibility for possible errors in catalogues, brochures, videos and other material. Danfoss reserves the right to alter its products without notice. This also applies to products ordered but not delivered provided that such alterations can be made without changes to form, fit or function of the product.

All trademarks in this material are property of Danfoss A/S or Danfoss group companies. Danfoss and the Danfoss logo are trademarks of Danfoss A/S. All rights reserved.